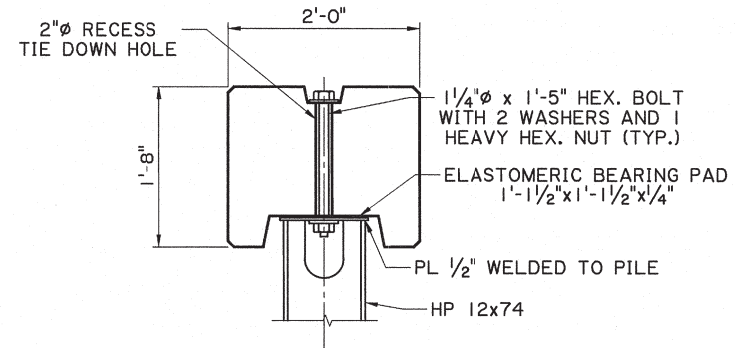
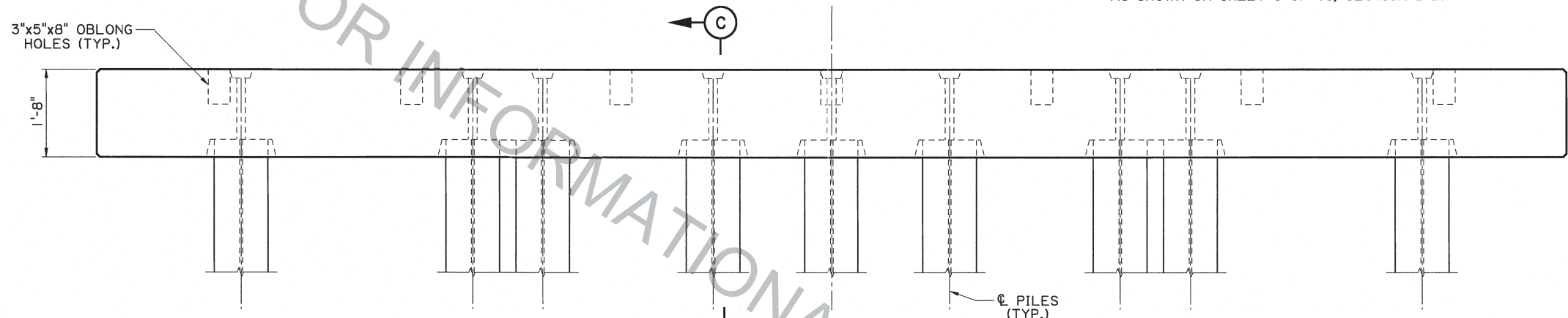
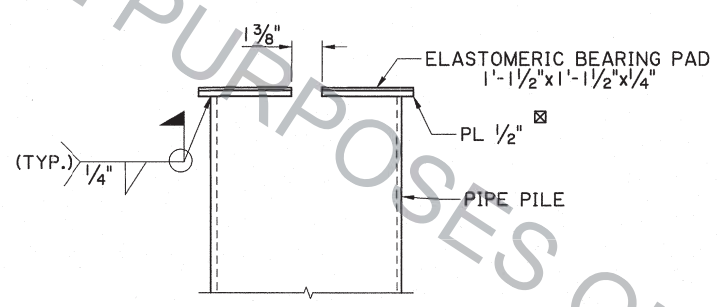


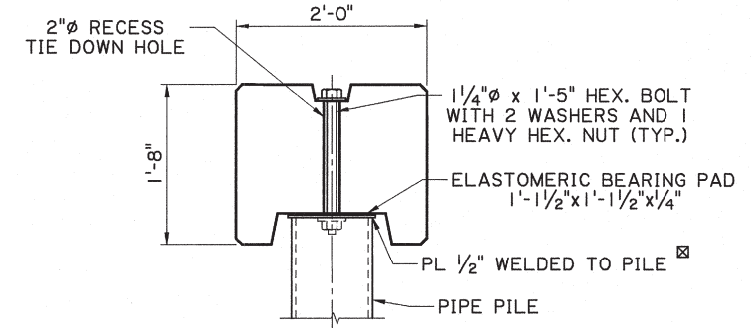
NOTE:
PILES ARE TO BE BATTERED 1 ON 4 AWAY FROM THE BULKHEAD AS SHOWN ON SHEET 9 OF 16, SECTION B-B.



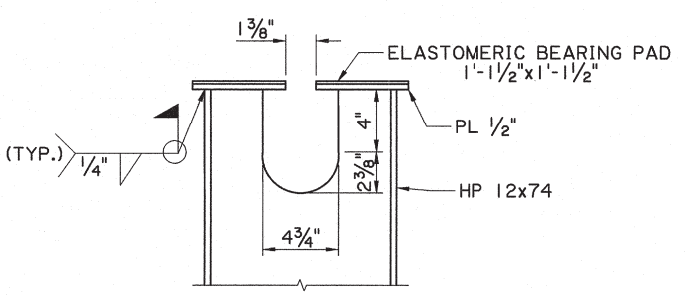
SECTION C-C
H-PILE



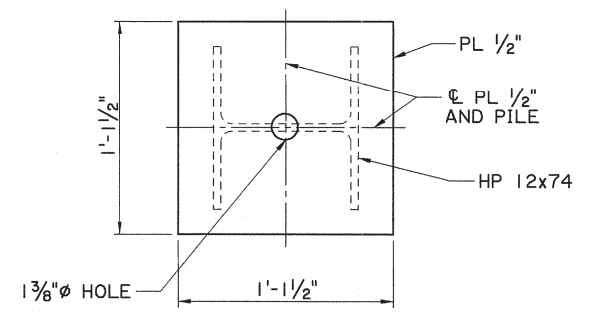
CONNECTION DETAIL
ELEVATION VIEW THROUGH ϕ
SHOWING PILE TO PLATE CONNECTION
(PIPE PILE)



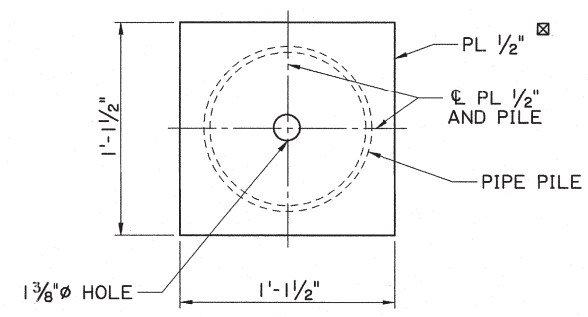
SECTION C-C
PIPE PILE



CONNECTION DETAIL
ELEVATION VIEW THROUGH ϕ
SHOWING CUT-OUT DIMENSIONS (H-PILE)

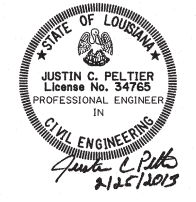


CONNECTION DETAIL
PLAN VIEW SHOWING
PLATE DIMENSIONS (H-PILE)



CONNECTION DETAIL
PLAN VIEW SHOWING
PLATE DIMENSIONS (PIPE PILE)

☒ THE PL 1/2" AND THE ELASTOMERIC BEARING PAD SHALL BE BOLTED TO THE CAP PRIOR TO THE PLACEMENT OF THE CAP ON TOP OF THE PIPE PILES. ONCE THE CAP IS PLACED ON TOP OF THE PILES, THE PLATES SHALL BE WELDED TO THE PILES.



SHEET NUMBER	10 OF 16
DESIGNED BY	J. PELTIER
CHECKED BY	M. HEBERT
DATE	03-01-17
PROJECT	BRIDGE 8 STRUCTURAL DESIGN
REVISION OR CHANGE ORDER DESCRIPTION	CORRECTED SPELLING
BY	K.M.B.